

MWPS-72426

Beef Layout Inside Feeding

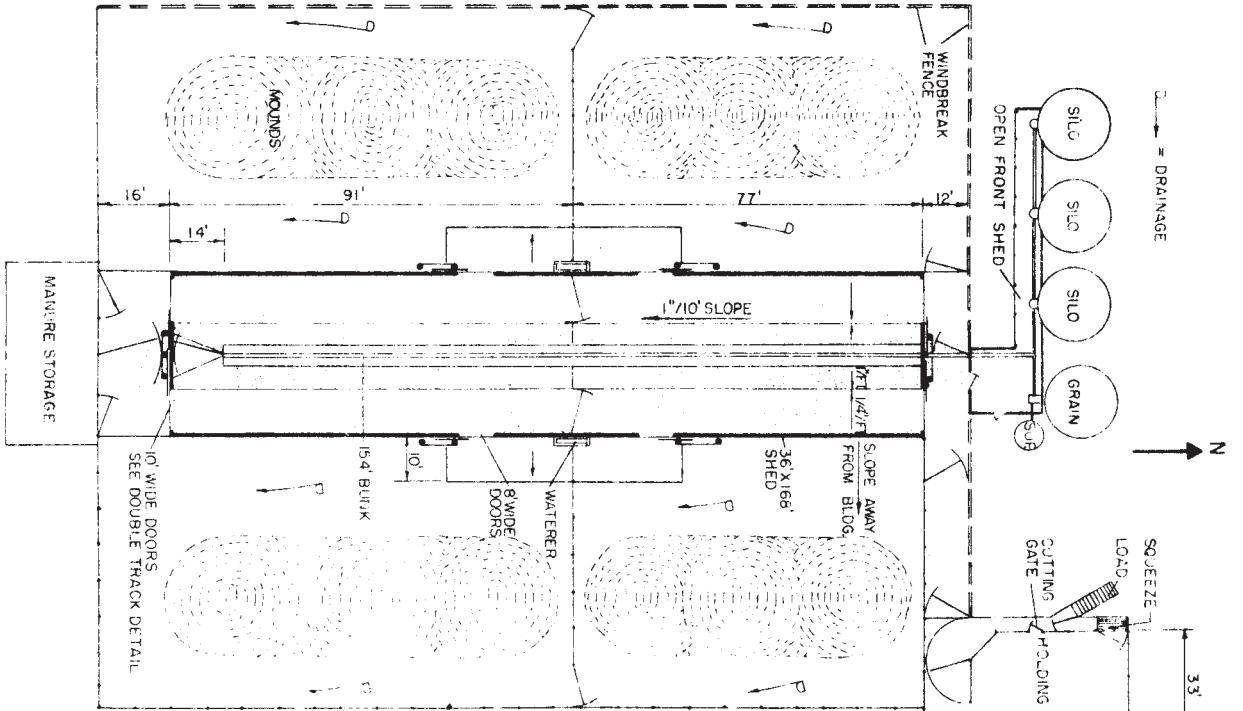
CAUTION!

Additional professional services will be required to tailor this plan to your situation, including but not limited to: assurance of compliance with codes and regulations; review of specifications for materials and equipment; supervision of site selection, bid letting and construction; and provision for utilities, waste management, roads or other access. **Furthermore, any deviation from the given specifications may result in structural failure, property damage, and personal injury including loss of life.**

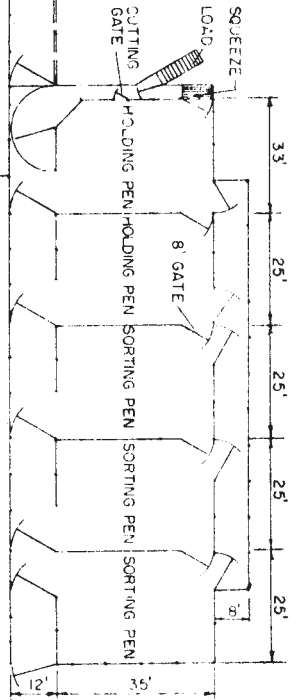
WARRANTY DISCLAIMER

This plan provides conceptual information only. **Neither midwest plan service nor any of the cooperating land-grant universities, or their respective agents or employees, have made, and do not hereby make, any representation, warranty or covenant with respect to the specifications in this plan.** Additional professional services will be required to tailor this plan to your situation, including but not limited to: assurance of compliance with codes and regulations; review of specifications for materials and equipment; supervision of site selection, bid letting and construction; and provision for utilities, waste management, roads or other access.

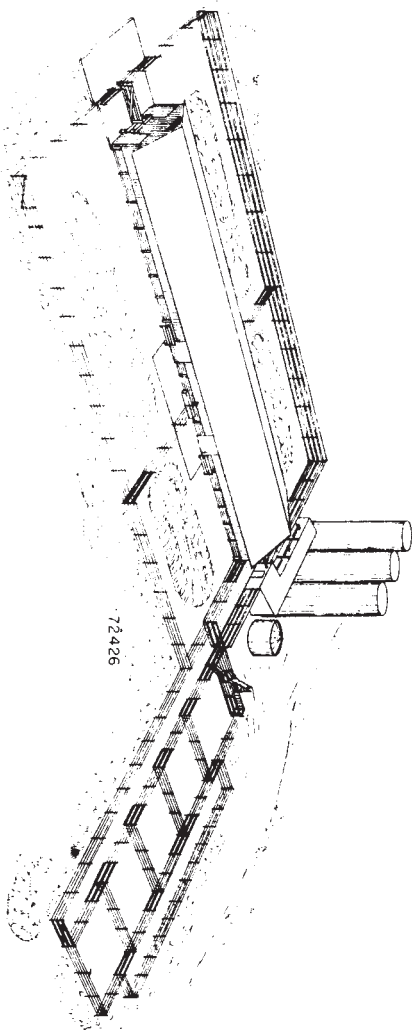
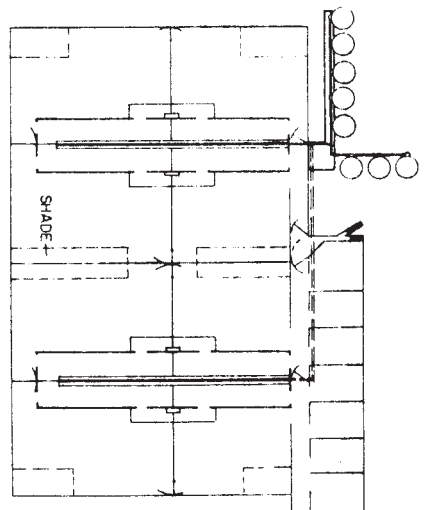
MIDWEST PLAN SERVICE
Cooperative Extension Work in Agriculture and Home Economics and Agricultural Experiment Stations of North Central Region - USDA Cooperating
Beef Layout Inside Feeding
Title Page
MIDWEST PLAN NO.



Capacity: about 200 head depending on size of animals and feeding program.



INSIDE FEEDING
 This feed system is working well in cold and relatively dry climates. The bunk and mechanical equipment is protected from rain, ice and snow. The cattle are sheltered while eating, and during severe weather.



SPACE REQUIREMENTS

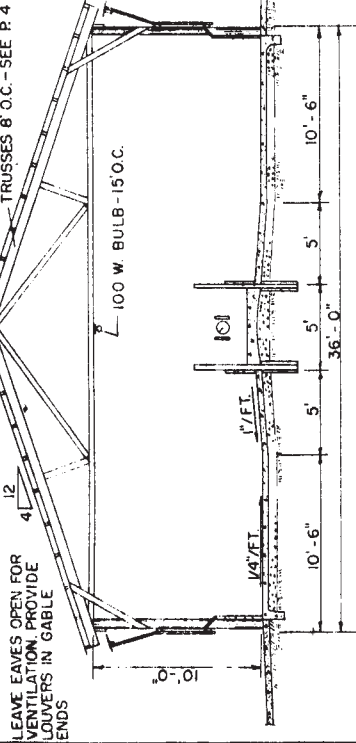
- 6" head with grain and stlage available most of the time.
- 12" head for 3 or more feedings per day.
- 22" to 26" if animals all eat at the same time.
- 20" to 25 sq ft/head rounded heeded area - 100 to 150 sq ft
- Shedders space/fees
- 20 to 25 sq ft/head - Shed provides a part of this shade.
- Locate additional shade along the north-south lot fences.
- Waterers.
- 1 watering space/45 head.
- Corral:
- 40 sq ft/head in starting and holding pens. Provide for at least the capacity of one lot. Note that the building is used as an alley to the corral for the steers in the southern lots.

EQUIPMENT PLANS

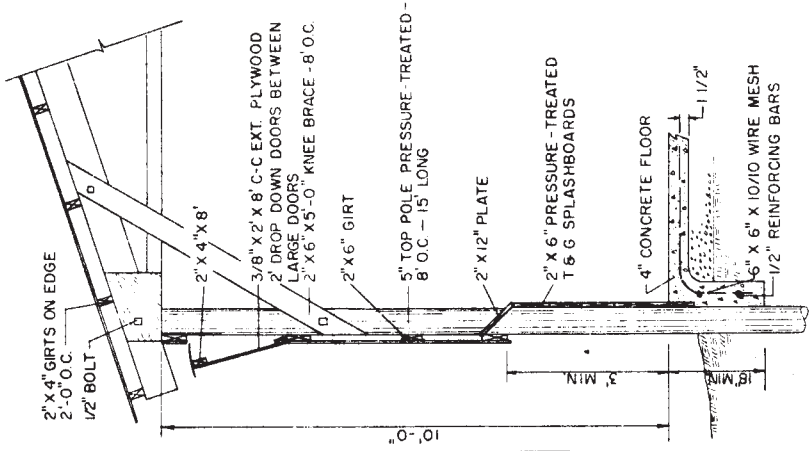
See your county agricultural agent for "Beef Equipment Plans," \$1.00, for details plans, for feeding, feeders, corrals, equipment, etc.

MIDWEST PLAN SERVICE
Cooperative Extension Work in Agriculture and Home Economics and Agricultural Experiment Stations of North Central Region - USDA Cooperating
BEEF LAYOUT
INSIDE FEEDING
Sheet 1 of 4 Sheets
MIDWEST PLAN NO. 72426

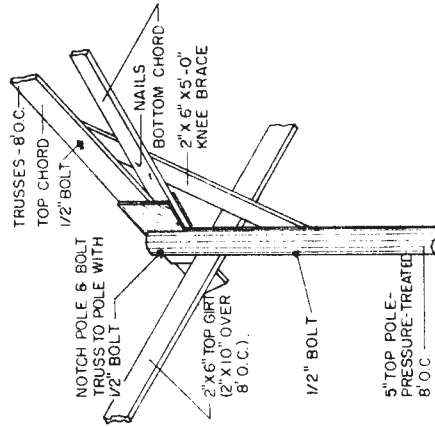
APPLY ROOFING & SIDING USING MFR'S SPECS.
TRUSSES 8' O.C. - SEE P. 4



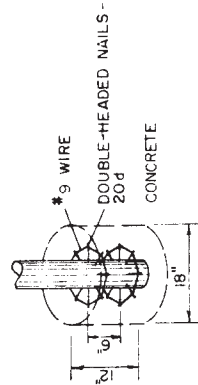
FEEDING SHED CROSS SECTION



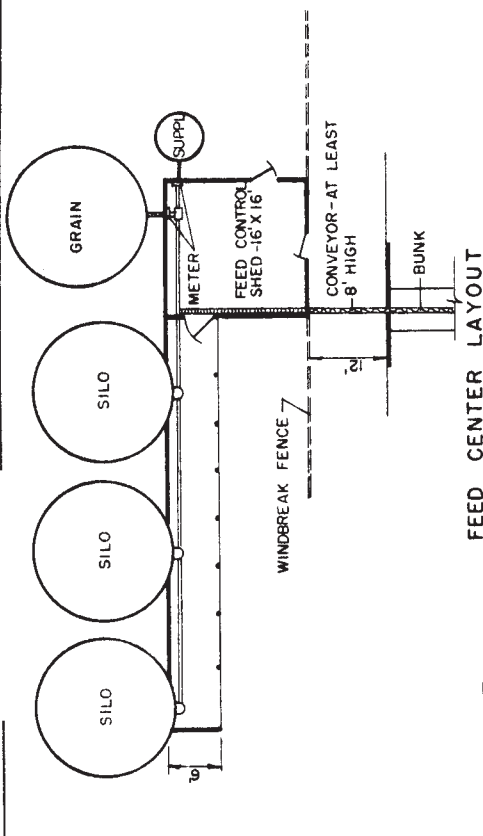
WALL DETAIL



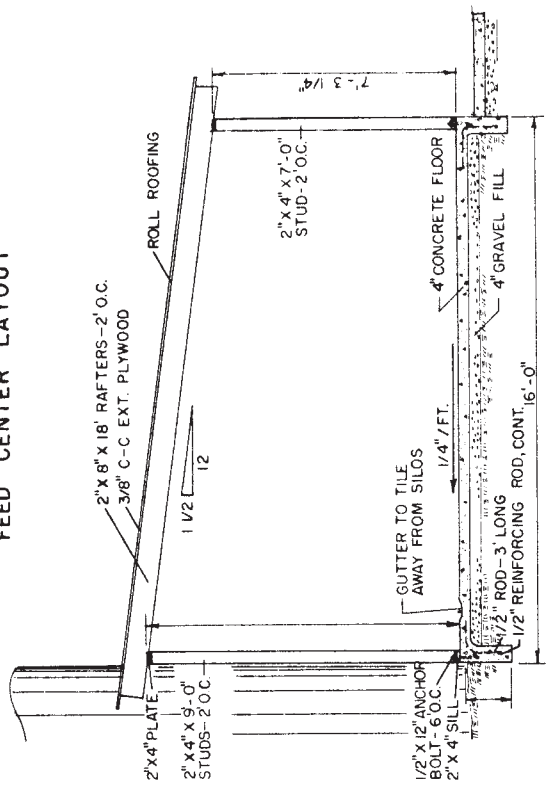
TRUSS ATTACHMENT DETAIL



CONCRETE COLLAR DETAIL



FEED CENTER LAYOUT



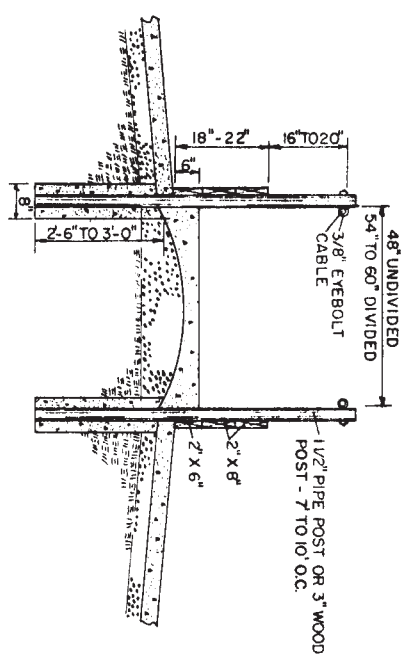
FEED CONTROL SHED

Slope roof away from silos. Slope floor toward silos. Shallow gutter will control leaked water.

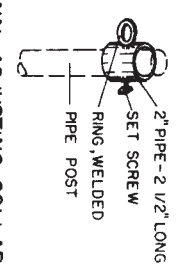
MIDWEST PLAN SERVICE
Cooperative Extension Work in Ag. and Home Economics, and Agricultural Experiment Stations of North Central Region - USDA Cooperating
BEEF LAYOUT INSIDE FEEDING
Sheet 2 of 4 Sheets
MIDWEST PLAN NO. 72426
Copyright © 1964 Midwest Plan Service

BILL OF MATERIALS FOR 72426
FOR 36' x 168' BLDG.

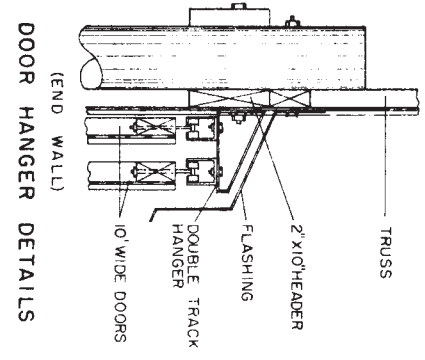
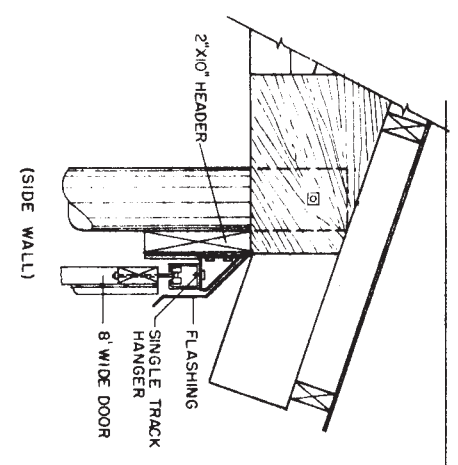
ITEM	DESCRIPTION	NO.	FBM
FOUNDATION & FLOOR	6" x 6" - 10 gage - sq. ft.	725	
	Wire Mesh	850	
	Reinforcement		
	Concrete		
Pole Collar	50 - 12" x 18" - cu. yd.	3	
	4" x 154" - cu. yd.	21	
	32" x 168" - cu. yd.	79	
SIDEWALLS & ENDWALLS	5" top x 15" long	50	
	2" x 6" x 16" T. & G.	145	2640
	2" x 12" x 16" Sliding	23	736
	4 1/2" High - sq. ft.	340	
	10" x 10" high	4	
	8" x 10" high		
	Track as needed		
	See detail Sheet 3		
	2" x 6" x 16" Bolts	2	1472
	See detail Sheet 2		
TRUSSES -- See Sheet 4	2" x 4" on edge 2' o. c.	120	
	Roofing		
ROOF & CEILING	2" x 4" on edge 2' o. c.	715	(Consult roofing manufacturer)
	Purchased	3	
Rafting Equipment	4" x 4" x 7' - 10' o. c.	35	
	3/8" - ft.	35	
	3/8" - ft.	310	
	2" x 8" x 10'	64	840
	2" x 6" x 10'	32	320



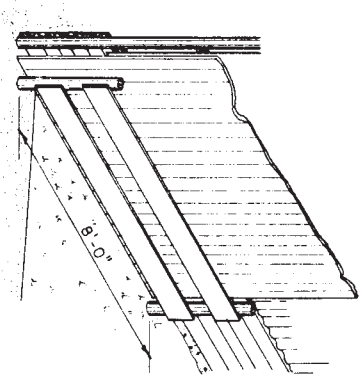
BUNK DETAIL



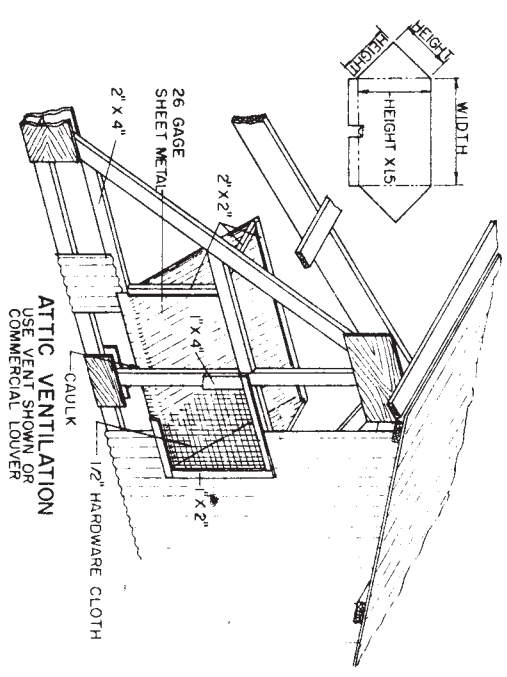
OPTIONAL ADJUSTING COLLAR PIPE POST



DOOR HANGER DETAILS



GUARD DETAIL FOR DOOR



ATTIC VENTILATION USE VENT SHOWN OR COMMERCIAL LOUVER

MIDWEST PLAN SERVICE
Cooperating Extension Work in
Agriculture and Home Economics
and Agricultural Experiment Stations
of North Central Region - USDA Cooperating

BEEF LAYOUT INSIDE FEEDING
Sheet 3 of 4 Sheets

MIDWEST PLAN NO. 72426

Copyright © 1964 Midwest Plan Service