

# MWPS-73283

## Double Corn Crib Overhead Bin

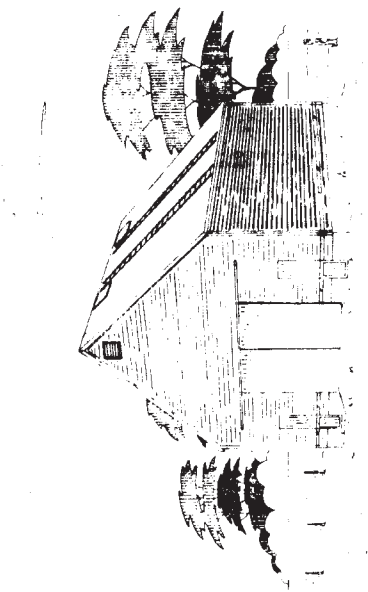
### **CAUTION!**

Additional professional services will be required to tailor this plan to your situation, including but not limited to: assurance of compliance with codes and regulations; review of specifications for materials and equipment; supervision of site selection, bid letting and construction; and provision for utilities, waste management, roads or other access. **Furthermore, any deviation from the given specifications may result in structural failure, property damage, and personal injury including loss of life.**

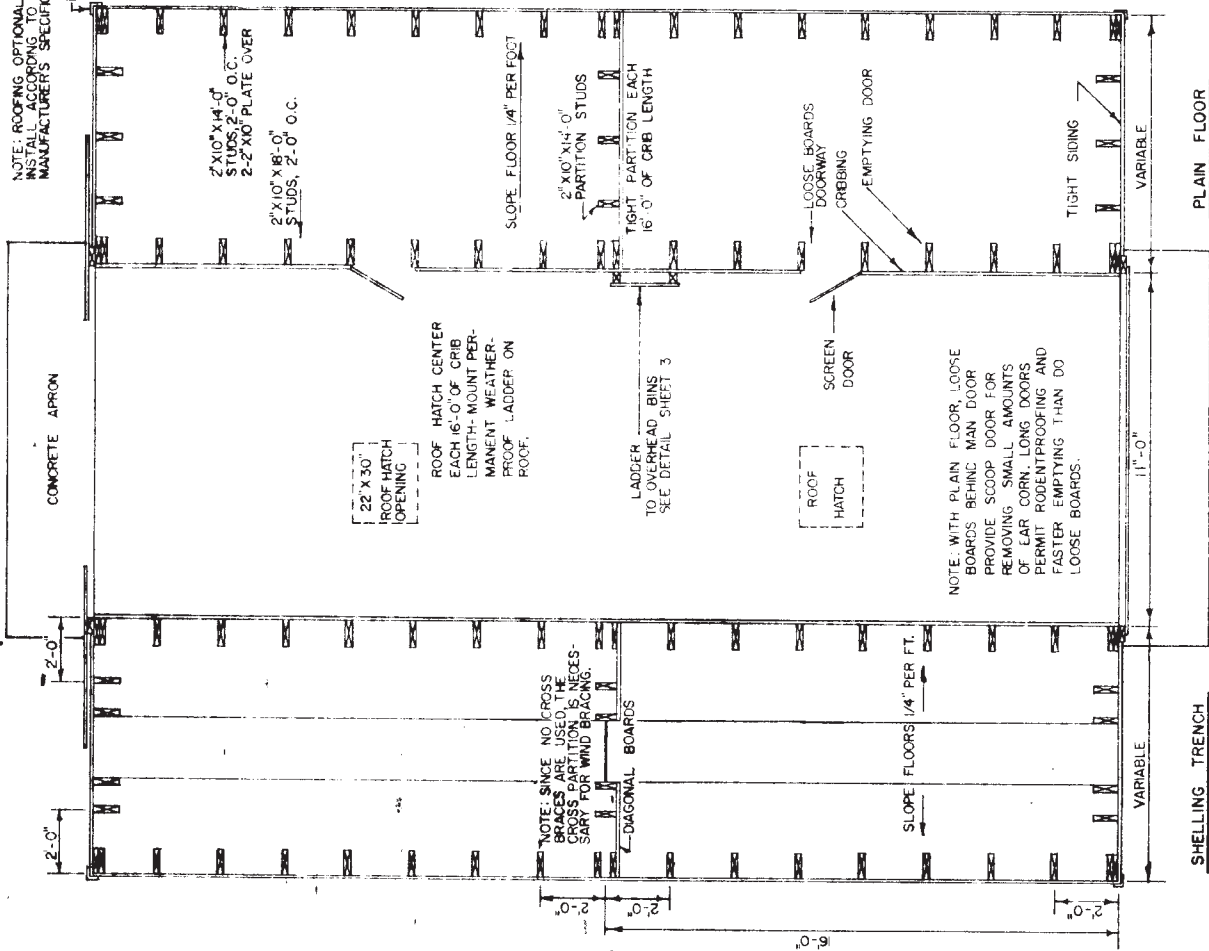
### **WARRANTY DISCLAIMER**

This plan provides conceptual information only. **Neither midwest plan service nor any of the cooperating land-grant universities, or their respective agents or employees, have made, and do not hereby make, any representation, warranty or covenant with respect to the specifications in this plan.** Additional professional services will be required to tailor this plan to your situation, including but not limited to: assurance of compliance with codes and regulations; review of specifications for materials and equipment; supervision of site selection, bid letting and construction; and provision for utilities, waste management, roads or other access.

<b>MIDWEST PLAN SERVICE</b>
Cooperative Extension Work in Agriculture and Home Economics and Agricultural Experiment Stations of North Central Region - USDA Cooperating
Double Corn Crib Overhead Bin
Title Page
MIDWEST PLAN NO. 73283



NOTE: ROOFING OPTIONAL. INSTALL ACCORDING TO MANUFACTURER'S SPECIFICATIONS.



1 1/2\"/>

2\"/>

2\"/>

ROOF HATCH CENTER EACH 16'-0\"/>

NOTE: SINCE NO CROSS BRACES ARE USED, THE CROSS PARTITION IS NECESSARY FOR WIND BRACING.

DIAGONAL BRACES

LADDER TO OVERHEAD BINS SEE DETAIL SHEET 3

NOTE: WITH PLAIN FLOOR, LOOSE BOARDS BEHIND MAIN DOOR PROVIDE SCOOP DOOR FOR REMOVING SMALL AMOUNTS OF EAR CORN. LONG DOORS PERMIT RODENTPROOFING AND FASTER EMPTYING THAN DO LOOSE BOARDS.

SLOPE FLOORS 1/4\"/>

NOTE: WITH PLAIN FLOOR, LOOSE BOARDS BEHIND MAIN DOOR PROVIDE SCOOP DOOR FOR REMOVING SMALL AMOUNTS OF EAR CORN. LONG DOORS PERMIT RODENTPROOFING AND FASTER EMPTYING THAN DO LOOSE BOARDS.

VARIABLE

VARIABLE

SHELLING TRENCH

PLAIN FLOOR

SCALE: 1/4\"/>

FIG. 289

IN AREAS WHERE PROOF HEAVING IS KNOWN TO BE PREVALENT, EXTERIOR FOUNDATIONS SHOULD BE PROTECTED.

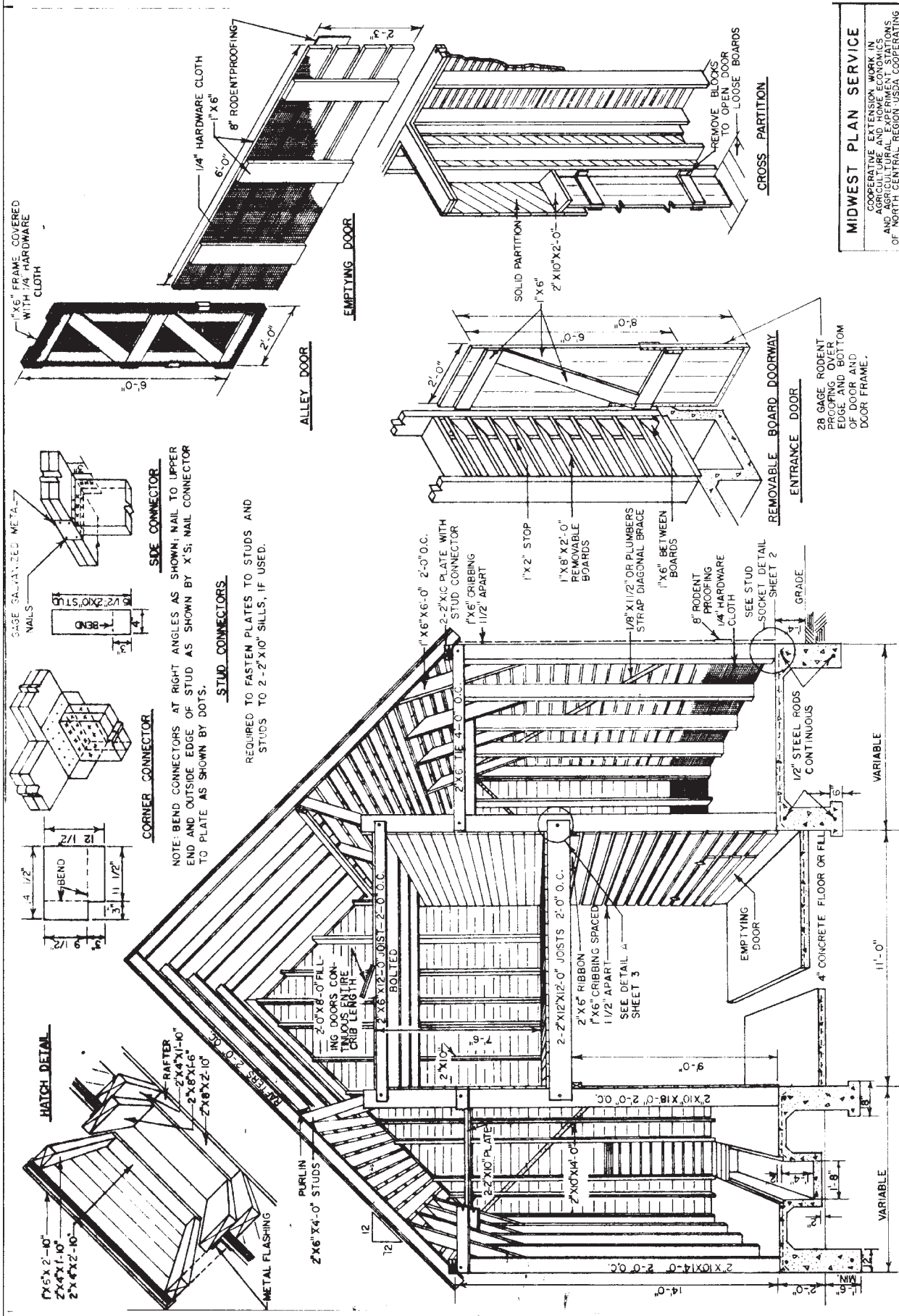
ROOFING: 1 1/2\"/>

ROOF STUDS TO CONCRETE WITH SELF-DRAINING CHANNELS TO GUTTER SYSTEMS.

ROOFING: 1 1/2\"/>

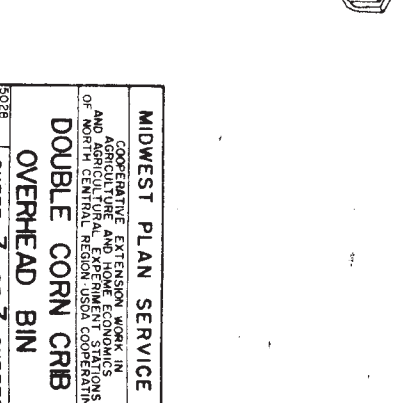
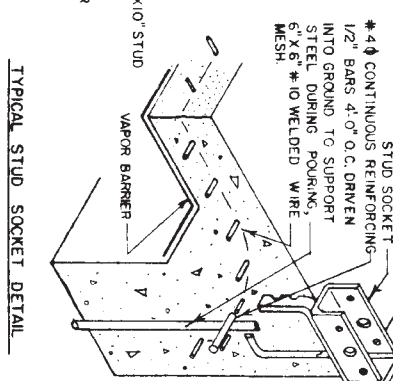
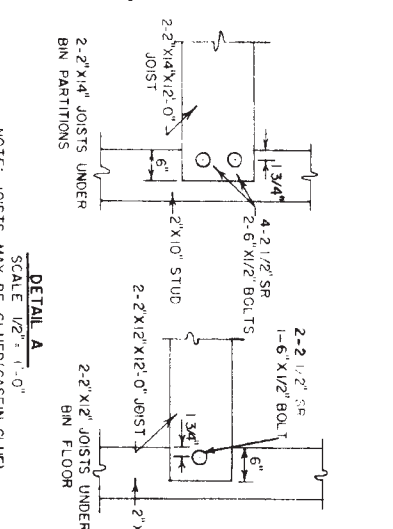
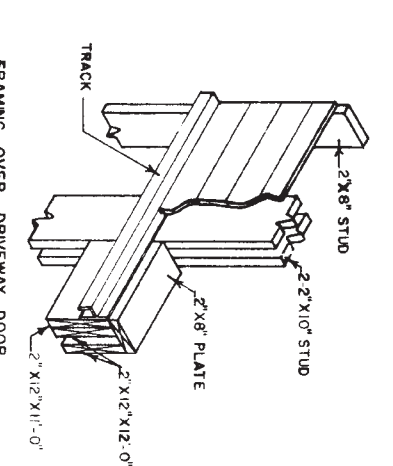
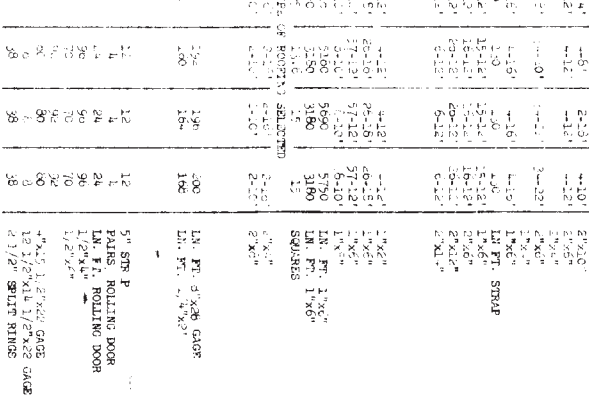
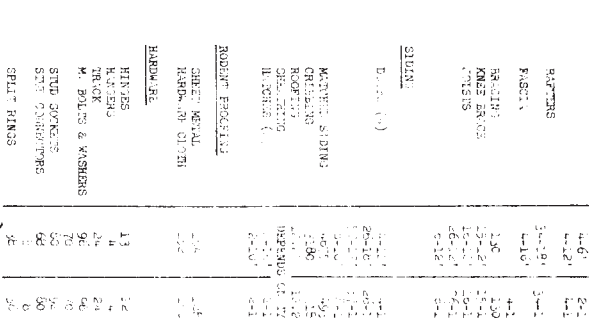
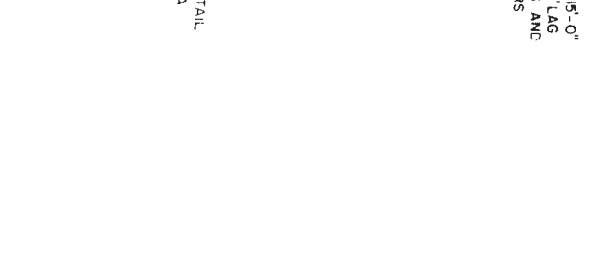
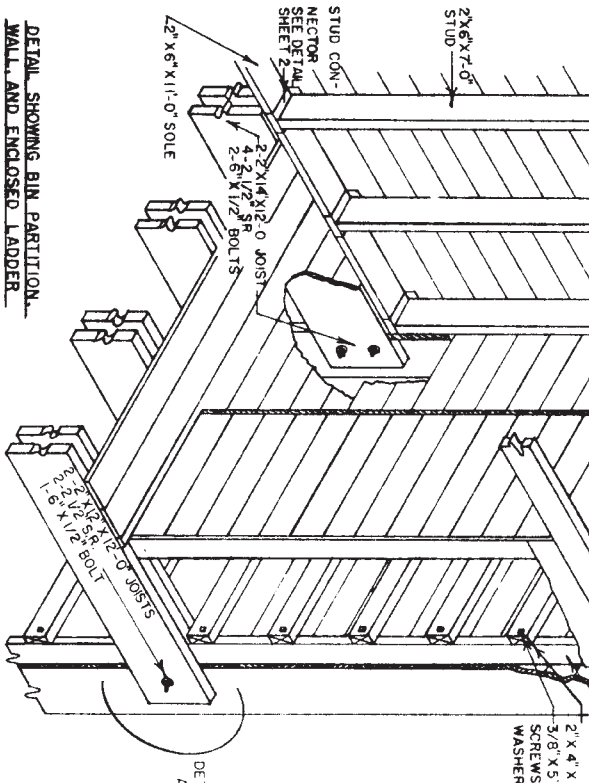
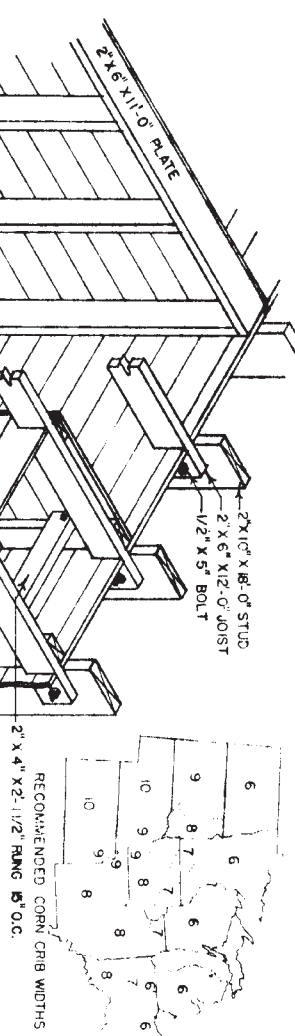
BEFORE CONSTRUCTING OVERHEAD BINS, COME RE COOKS AND EFFICIENCIES WITH OTHER TYPES OF STORAGE OF PROCESSING FACILITIES.

MIDWEST PLAN SERVICE	
COOPERATIVE EXTENSION WORK AGRICULTURAL MECHANICS AND AGRICULTURAL EXPERIMENT STATIONS OF NORTH CENTRAL REGION USDA COOPERATING	
DOUBLE CORN CRIB OVERHEAD BIN	
5028	SHEET 1 OF 3 SHEETS
MIDWEST PLAN NO. 73283	
COPYRIGHT 1958 MIDWEST PLAN SERVICE	



**INTERIOR PERSPECTIVE**

DOUBLE CORN CRIB PARTIAL SECTION - ALLEY (SEE PLAN)



ITEM	QUANTITY (EACH)	6'	6'-7"	6'-10"	7'-0"	7'-6"	7'-9"	8'-0"	8'-3"	8'-6"	8'-9"	9'-0"	9'-3"	9'-6"	9'-9"	10'-0"	DESCRIPTION
CONCRETE	19	20	2	42-25	34-26	7	7	7	7	7	7	7	7	7	7	7	CON. FLS.
STEEL	170	140	600	560	7	7	7	7	7	7	7	7	7	7	7	7	STEEL
WOOD	455	575	400	500	7	7	7	7	7	7	7	7	7	7	7	7	WOOD
ROOFING	15	15	15	15	15	15	15	15	15	15	15	15	15	15	15	15	ROOFING
PAINTS	15	15	15	15	15	15	15	15	15	15	15	15	15	15	15	15	PAINTS
LABOR	15	15	15	15	15	15	15	15	15	15	15	15	15	15	15	15	LABOR
TOTAL	360	360	360	360	360	360	360	360	360	360	360	360	360	360	360	360	TOTAL

**MIDWEST PLAN SERVICE**  
 COOPERATIVE EXTENSION WORK IN  
 AGRICULTURE AND HOME ECONOMICS  
 AND AGRICULTURAL MECHANICS  
 OF NORTH CENTRAL REGION U.S.D.A. COOPERATING

**DOUBLE CORN CRIB OVERHEAD BIN**

5028 - SHEET 3 OF 3 SHEETS  
 MIDWEST PLAN NO. 73283  
 COPYRIGHT 1958 - MIDWEST PLAN SERVICE